



Screw compressor B 200

For liquids
120 to 180m³/hr

B 200-10L

700 to 1000 rpm



B 200-12R

840 to 1200 rpm



Dimensions :

L 436 x H 215 x I 133 mm

Weight : 26,5 kg

Gravity torque : under 50 Nm



The solution for an optimum direct mounting
3 possibilities

PF Option - PTO Flange



Splined shaft
for direct flange
mounting on PTO

PS Option - PTO Shaft



Straight Keyed shaft
for electric
motor drive

HY Option - hydraulic



Female spline shaft
for hydraulic
motor drive



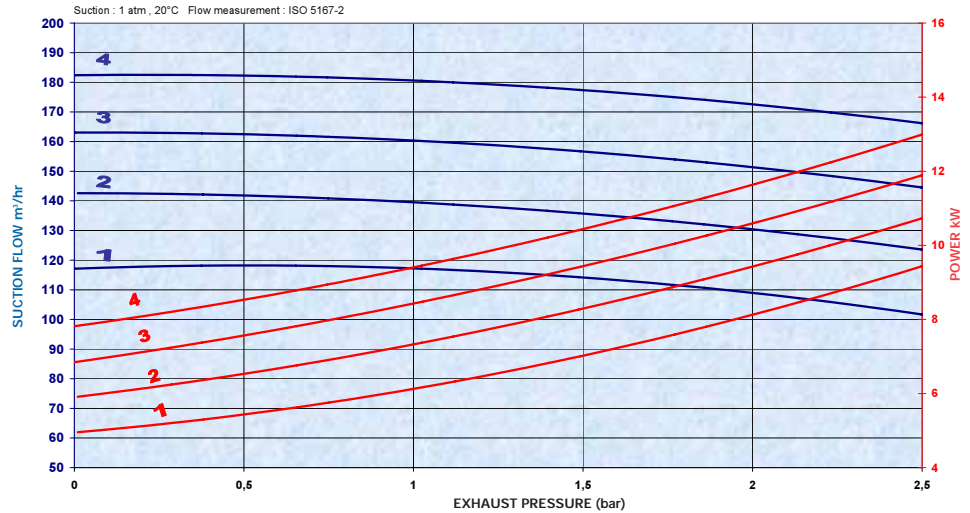
Screw compressor B 200

◆ Flow (m³/hr) / Power (kW)

◆ Speed (rpm)

COMPRESSOR SPEED

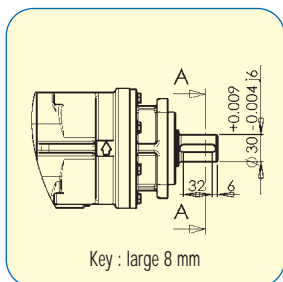
VERSION	1	2	3	4
12R	840	960	1080	1200
10L	700	800	900	1000



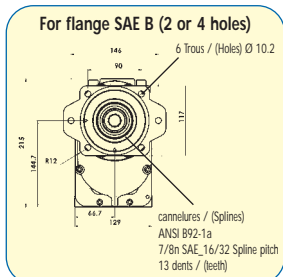
◆ Torque / Pressure (Nm)

Pressure (bar)*			
VERSION	1.5	2.0	2.5
12R	100	111	124
10L	83	93	103

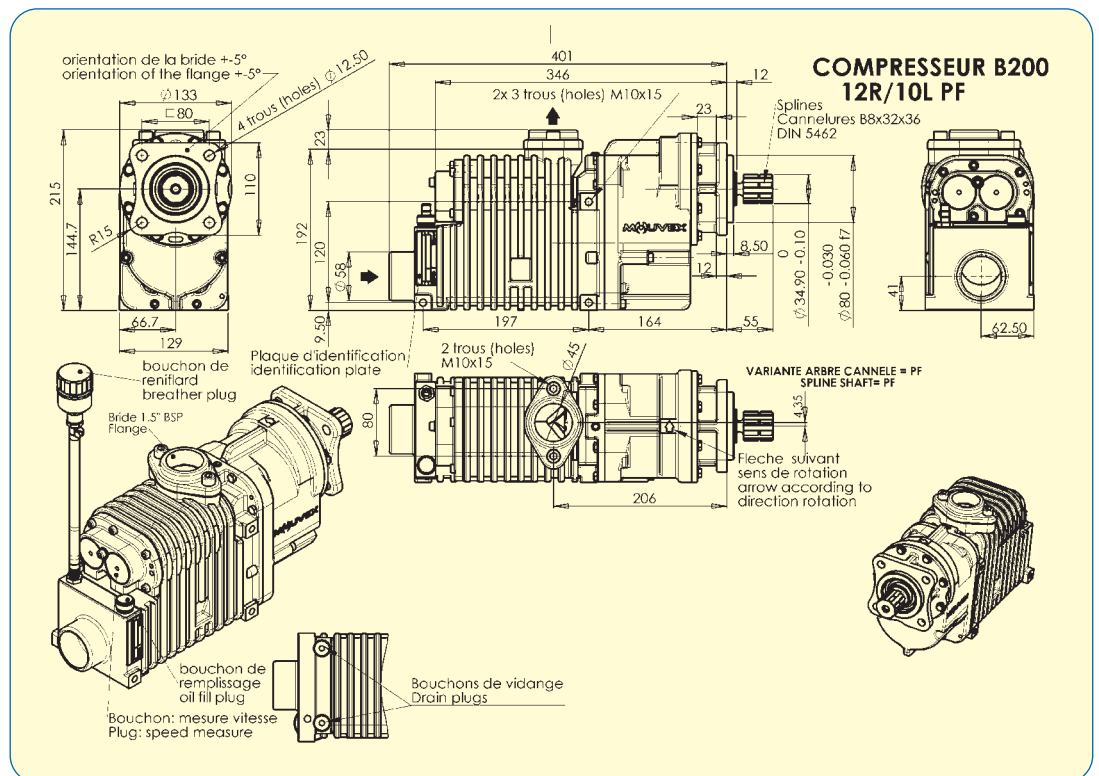
* At full speed.



PS Option - PTO Shaft



HY Option - Hydraulic



PF Option - PTO Flange



ZI la Plaine des Isles
rue des Caillottes
89000 AUXERRE - FRANCE
T + 33.3.86.49.86.30
F + 33.3.86.46.42.10
contact@mouvex.com



Distributed by :

Mouvex reserves the right to modify the information and illustrations contained in this document without prior notice. This is a non-contractual document. 01/09
Printed in FRANCE by Filigrane
© 2010 Mouvex

www.mouvex.com